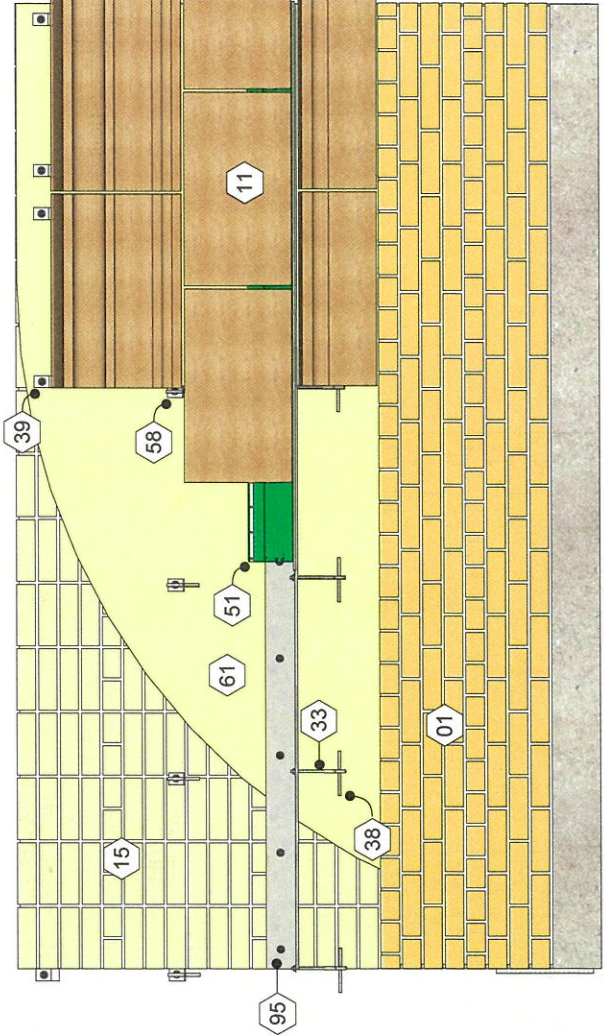


1 Plan
Scale: 1/2" = 1'-0"



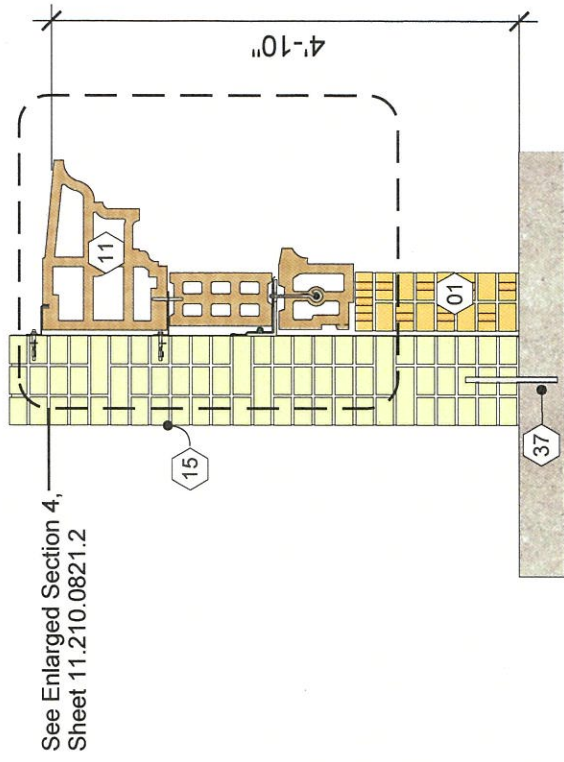
2 Elevation
Scale: 1/2" = 1'-0"

Training Mockup | Cornice Assembly
Detail 11.210.0821.1 Rev. 04/20/18

Note: This drawing is conceptual only, and not for construction.

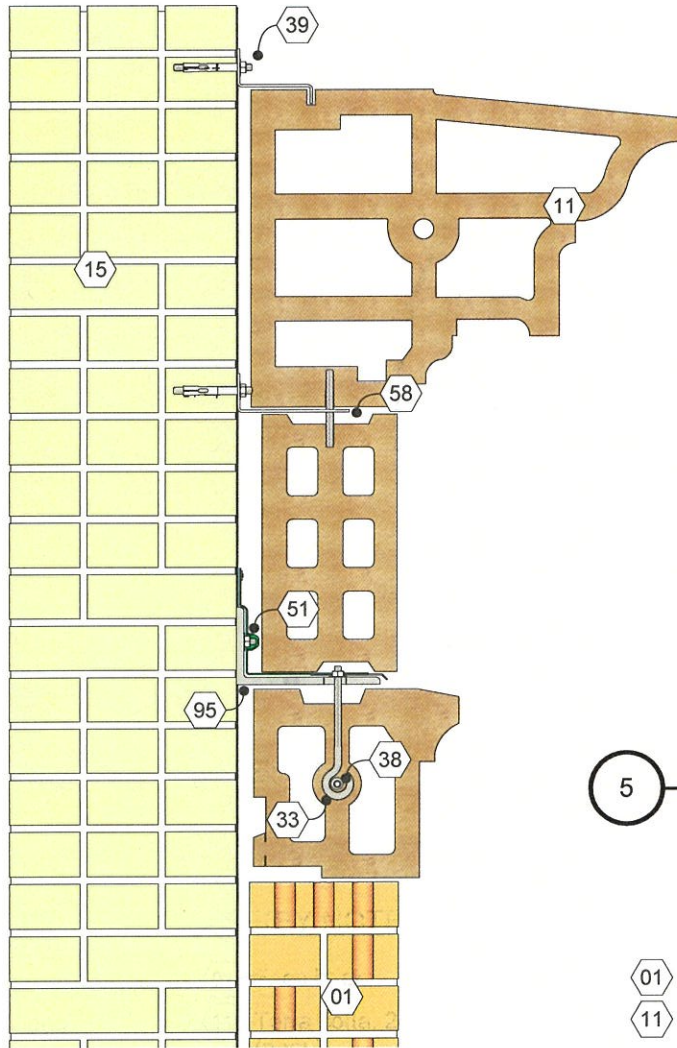
KEY NOTES

- 01 Face brick
- 11 Terra cotta, 24-in. long (nom.)
- 15 Backup masonry, triple wythe
- 33 SS J-hook anchor bolt, 1/2" dia.
- 37 Dowel Rod, 12" long, 1/2" on center
- 38 SS threaded rod, 3/8" or 1/2" dia.
- 39 SS Z anchor with expansion anchor
- 51 Thru-wall flashing, Termination bar w/ integral drip edge, seal and adhere
- 58 Strap anchor w/ vertical or horizontal threaded rod into TC, anchored to steel or masonry backing
- 61 Air/moisture/vapor barrier
- 95 Cont. 4" x 7" x 3/8" angle supporting TC

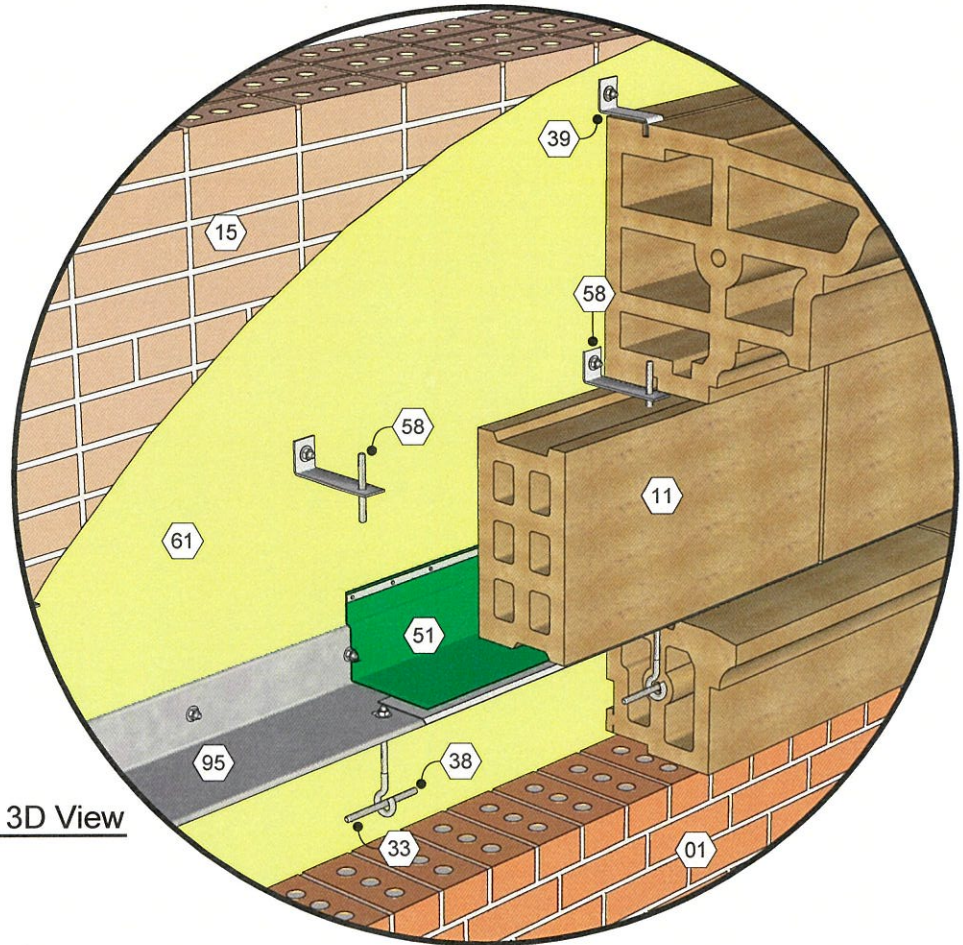


See Enlarged Section 4,
Sheet 11.210.0821.2

3 Section
Scale: 1/2" = 1'-0"



4 Enlarged Section
Scale: 1 1/2" = 1'-0"



5 Enlarged 3D View
NTS

KEY NOTES

- 01 Face brick
- 11 Terra cotta, 24-in. long (nom.)
- 15 Backup masonry, triple wythe
- 33 SS J-hook anchor bolt, 1/2" dia.
- 37 Dowel Rod, 12" long, 12" on center
- 38 SS threaded rod, 3/8" or 1/2" dia.
- 39 SS Z anchor with expansion anchor
- 51 Thru-wall flashing, Termination bar w/ integral drip edge, seal and adhere
- 58 Strap anchor w/ vertical or horizontal threaded rod into TC, anchored to steel or masonry backing
- 61 Air/moisture/vapor barrier
- 95 Cont. 4" x 7" x 3/8" angle supporting TC

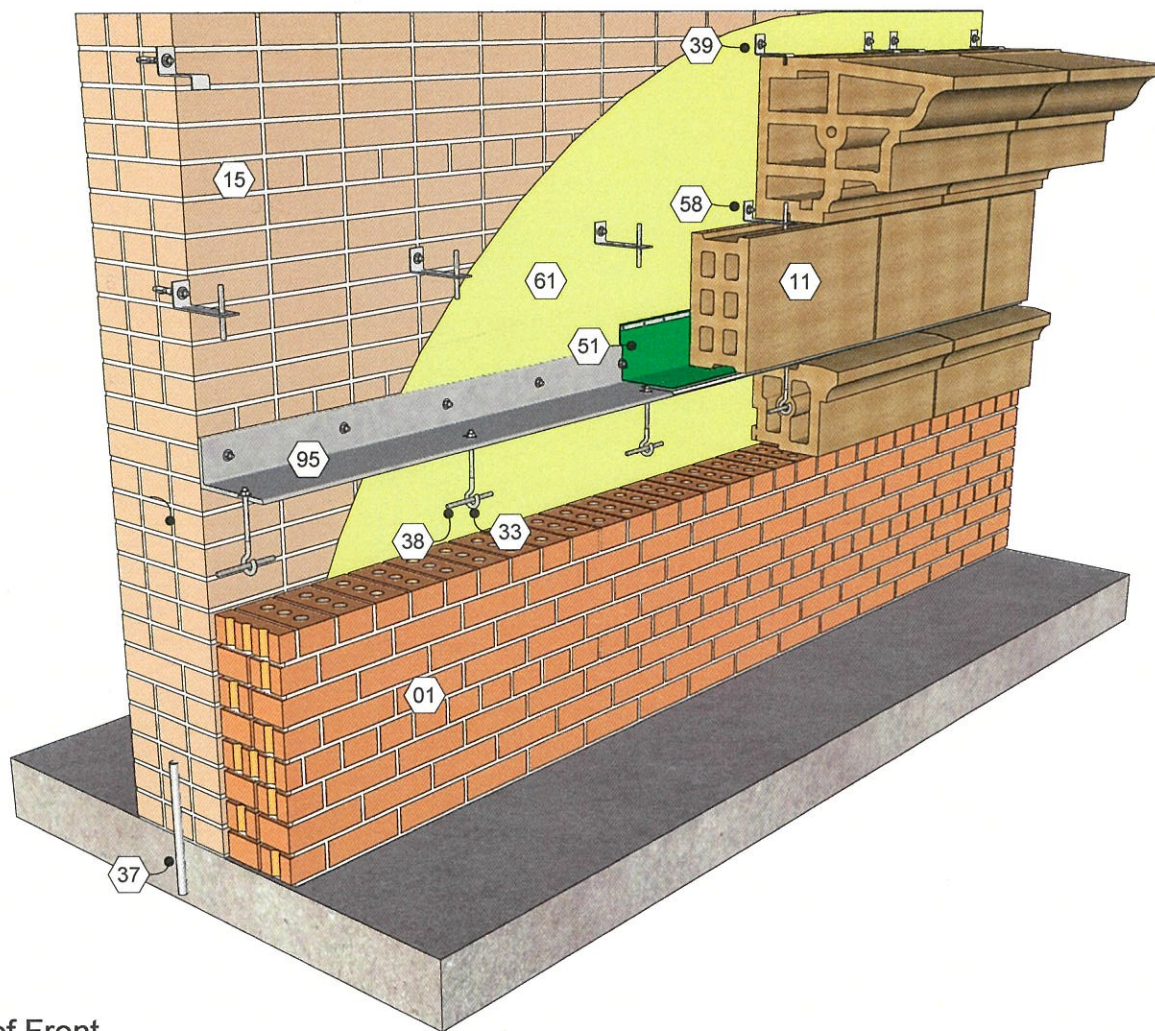
Training Mockup | Cornice Assembly
Detail 11.210.0821.2 Rev. 04/20/18



800-IMI-0988 www.imiweb.org

© 2018 International Masonry Institute

Note: This drawing is conceptual only, and not for construction.



KEY NOTES

- 01 Face brick
- 11 Terra cotta, 24-in. long (nom.)
- 15 Backup masonry, triple wythe
- 33 SS J-hook anchor bolt, 1/2" dia.
- 37 Dowel Rod, 12" long, 12" on center
- 38 SS threaded rod, 3/8" or 1/2" dia.
- 39 SS Z anchor with expansion anchor
- 51 Thru-wall flashing, Termination bar w/ integral drip edge, seal and adhere
- 58 Strap anchor w/ vertical or horizontal threaded rod into TC, anchored to steel or masonry backing
- 61 Air/moisture/vapor barrier
- 95 Cont. 4" x 7" x 3/8" angle supporting TC

KEY WORDS

Terra cotta, Restoration, Training, Mockup, Extruded, Hand pressed, Anchor, 11.210.0821

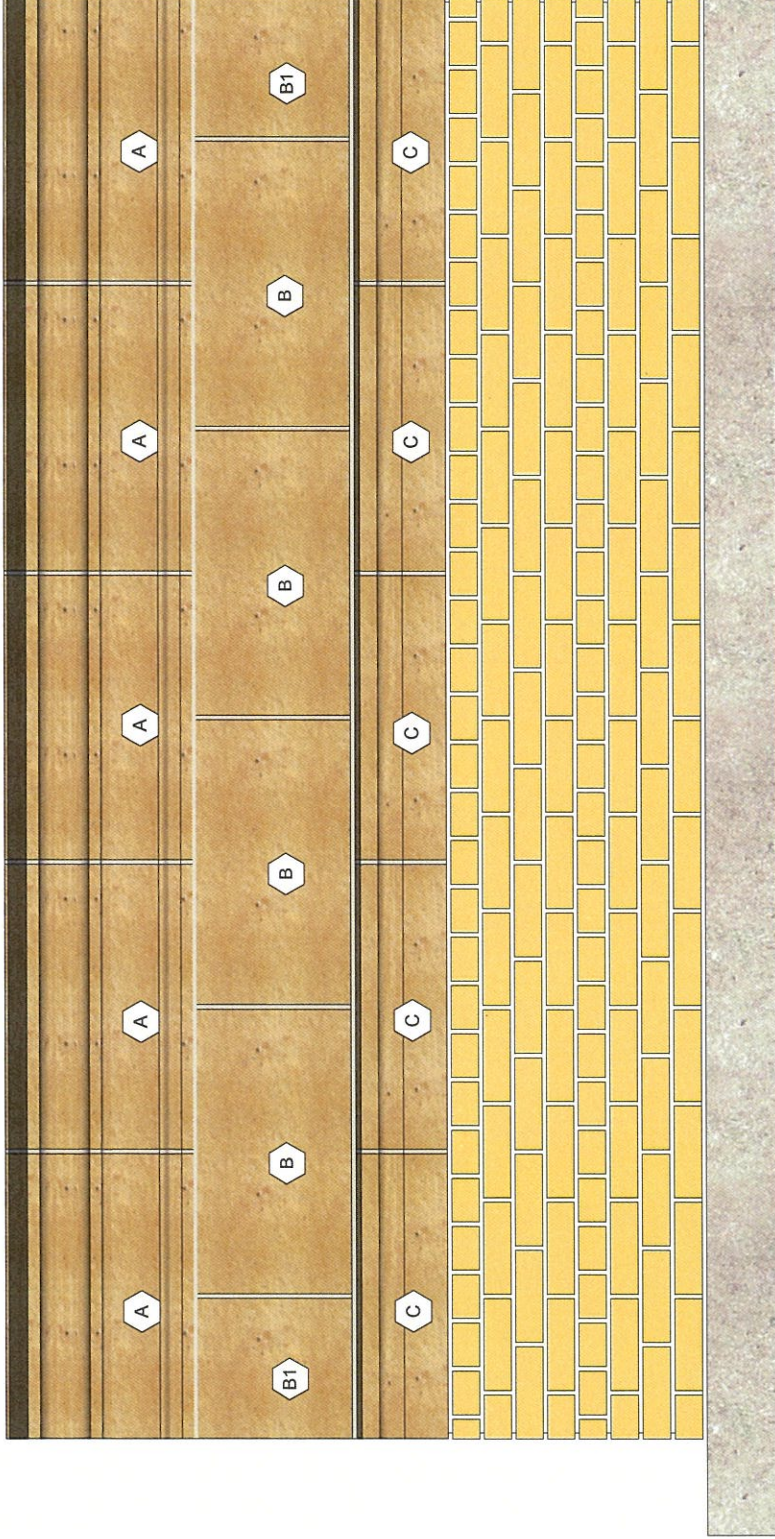
6 3D View of Front
NTS

Training Mockup | Cornice Assembly
Detail 11.210.0821.3 Rev. 04/20/18

International Masonry Institute

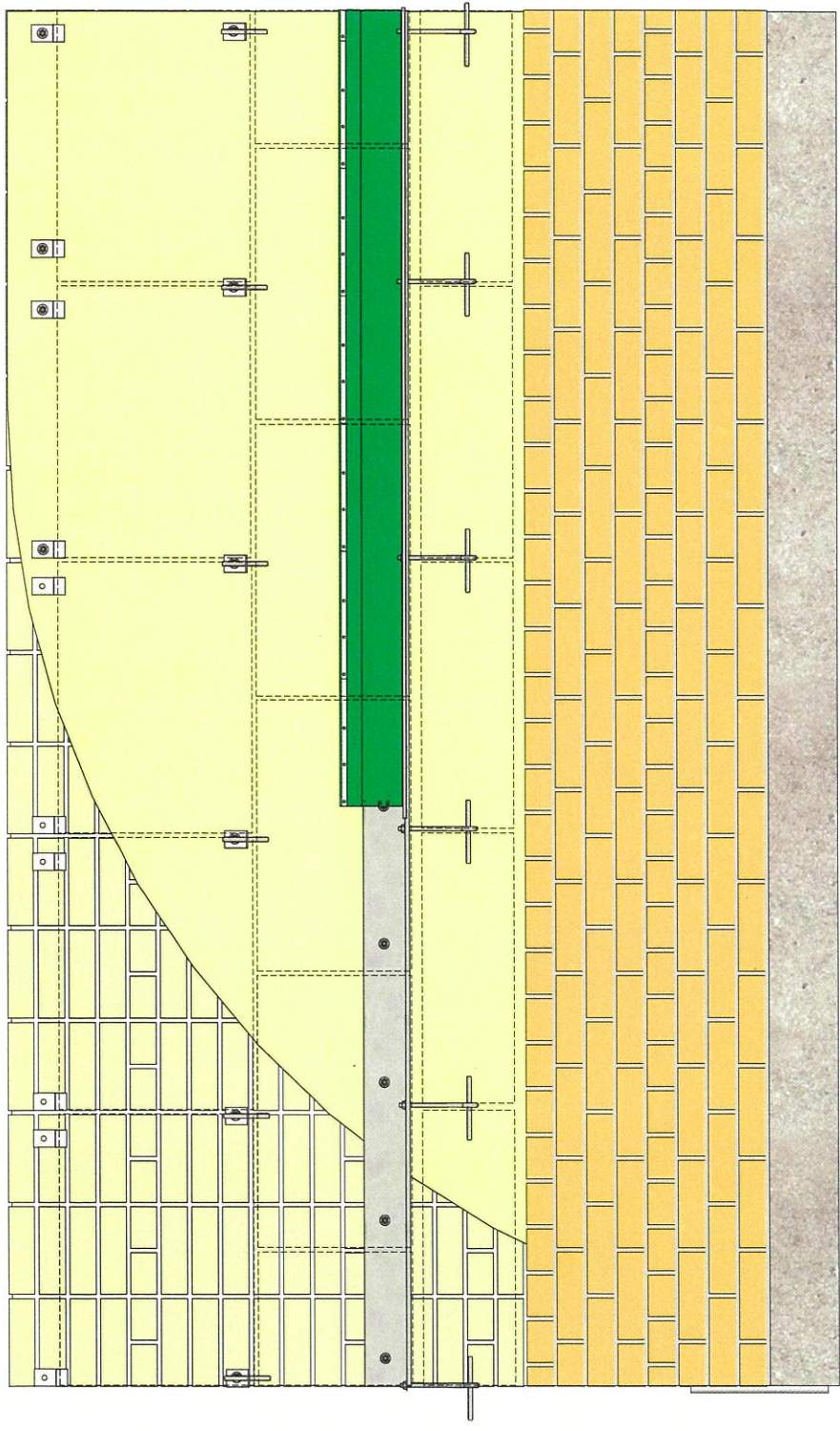


800-IMI-0988 www.imiweb.org



8 Elevation Showing Terra Cotta Pieces
 Scale: 3/4" = 1'-0"

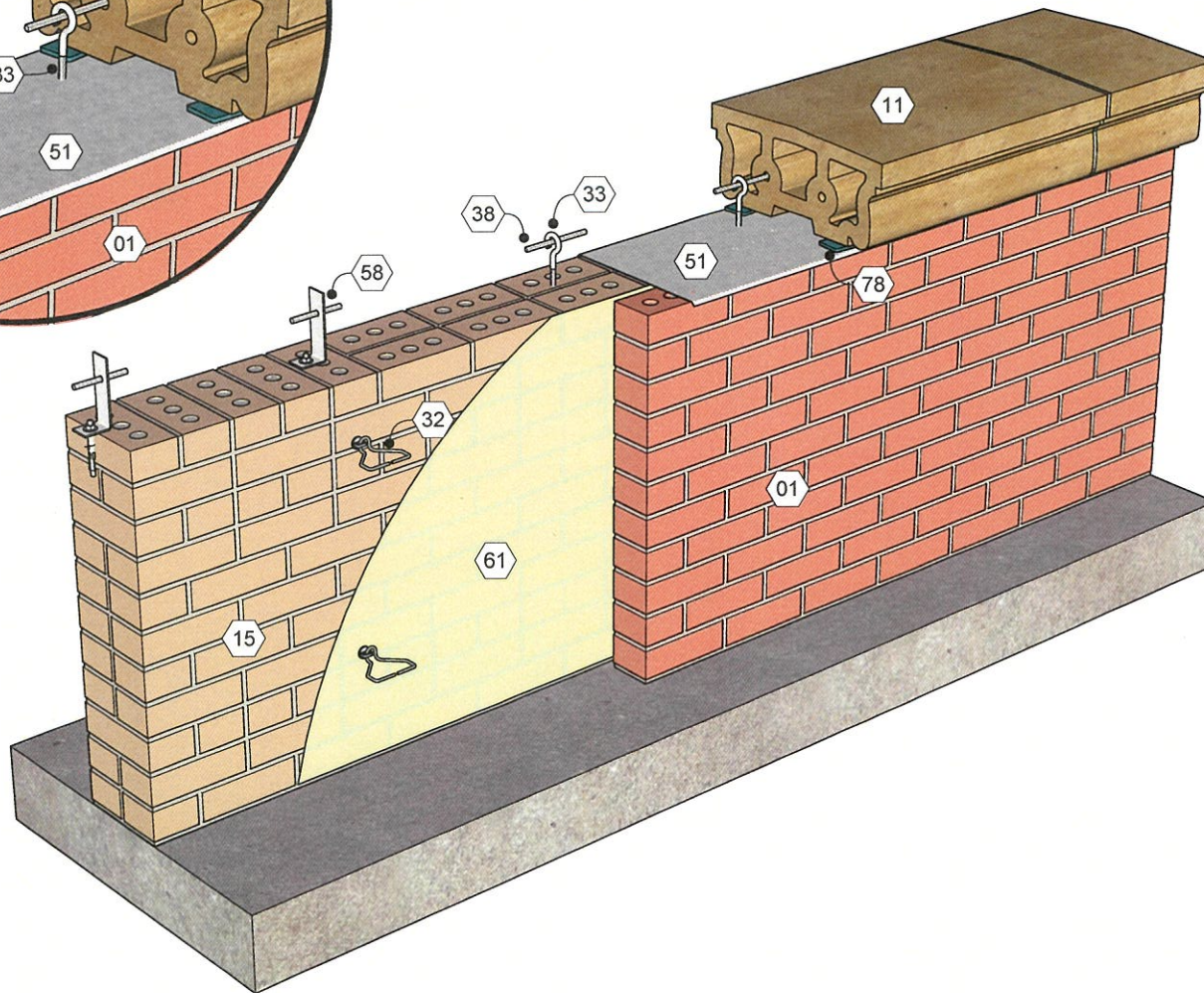
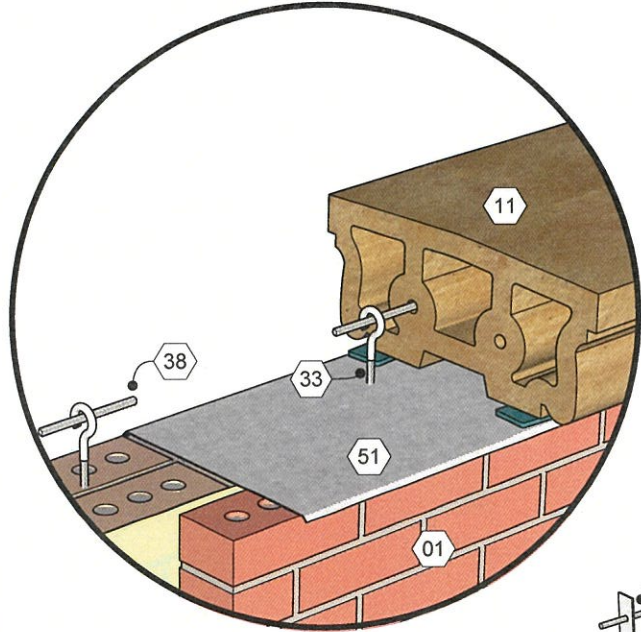
Training Mockup | Cornice Assembly
 Detail 11.210.0821.5 Rev. 04/20/18



9 Elevation Showing Anchors
 Scale: 3/4" = 1'-0"

Training Mockup | Cornice Assembly
 Detail 11.210.0821.6 Rev. 04/20/18

Note: This drawing is conceptual only, and not for construction.



KEY NOTES

- 01 Face brick
- 11 Terra cotta coping, extruded
- 15 Backup masonry, double wythe construction
- 32 Veneer anchor
- 33 SS J-hook anchor bolt, 1/2" dia.
- 38 SS threaded rod, 3/8" or 1/2" dia.
- 51 SS thru-wall flashing w/ integral drip edge, seal and adhere
- 58 Alternative anchorage: Strap anchor w/ horizontal threaded rod into TC, anchored into top of masonry
- 59 Weep hole, 1/4 in. dia.
- 61 Air/moisture/vapor barrier as req'd
- 78 3/8" thick compression plastic shim, typ.

KEY WORDS

Terra cotta, Coping, Corner, Brick, Flashing, Restoration, Anchor, 11.030.0811

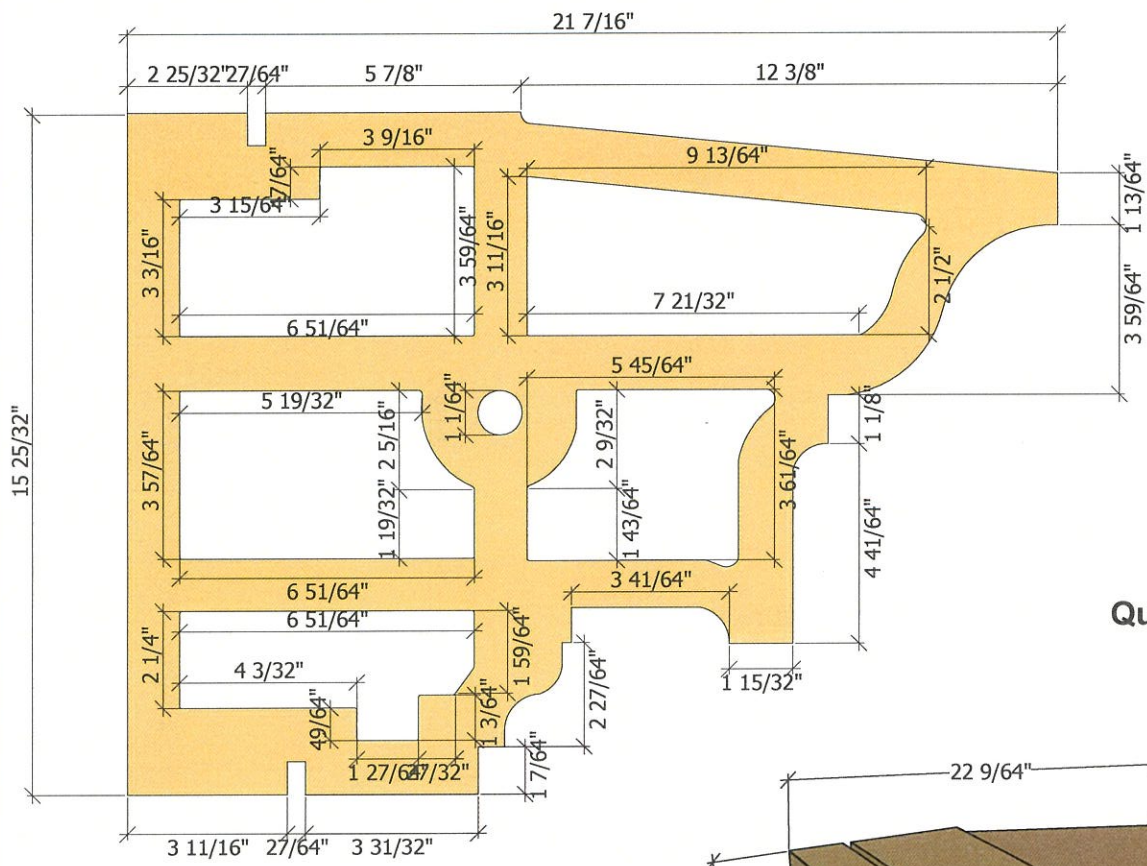
Coping Assembly, Extruded
 Detail 11.030.0811 Rev. 04/20/18

International Masonry Institute

team TERRA COTTA
DETAILING
SERIES

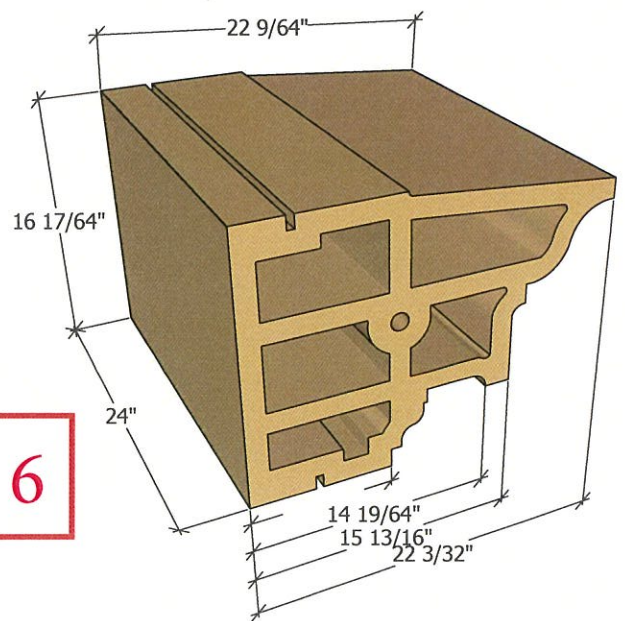
800-IMI-0988 www.imiweb.org

Note: This drawing is conceptual only, and not for construction.



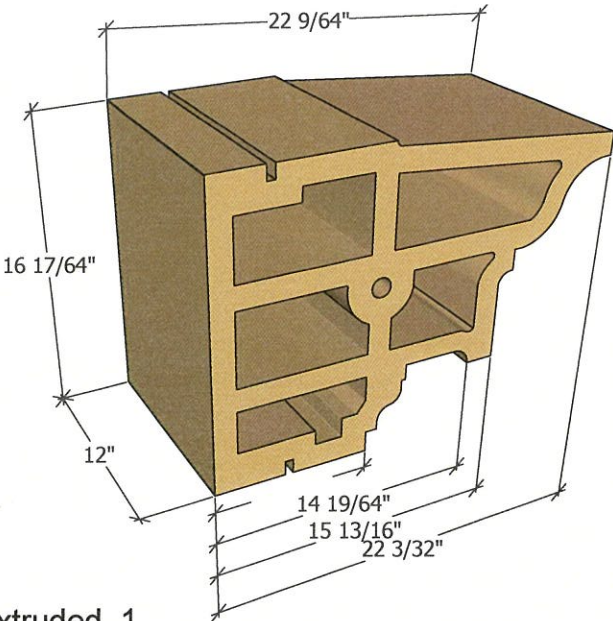
Quantity:

6

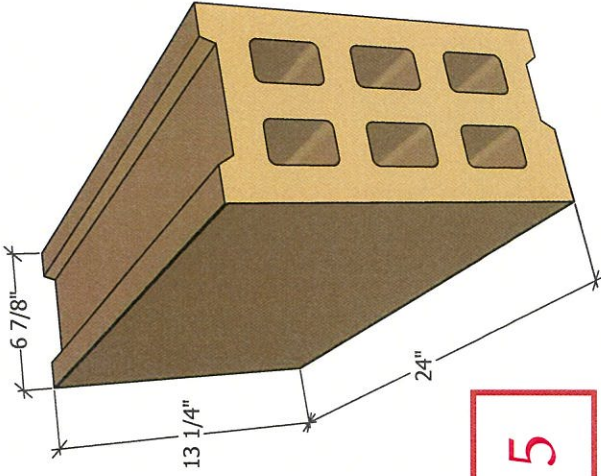
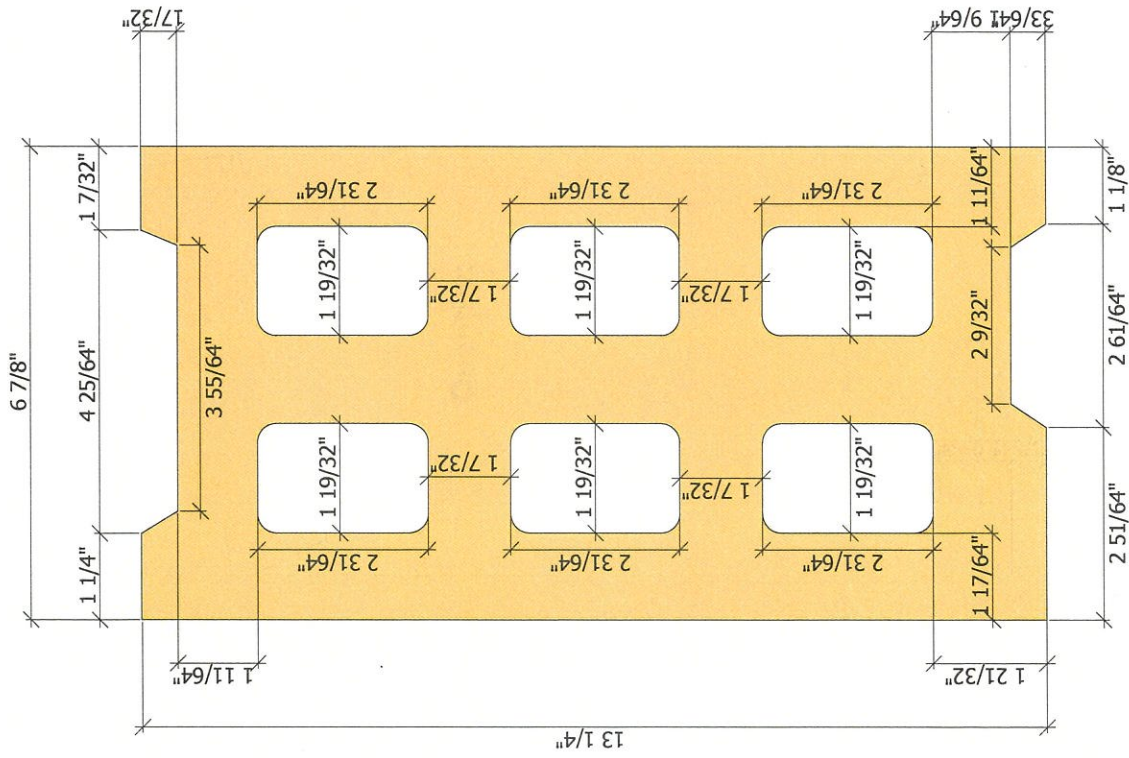


Quantity:

X

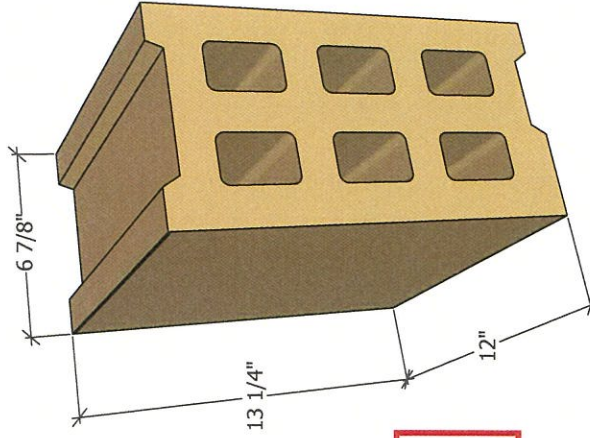


Terra Cotta Training Mockup, Cornice Unit, Extruded 1
Detail 11.210.0821 Rev. 03/27/18



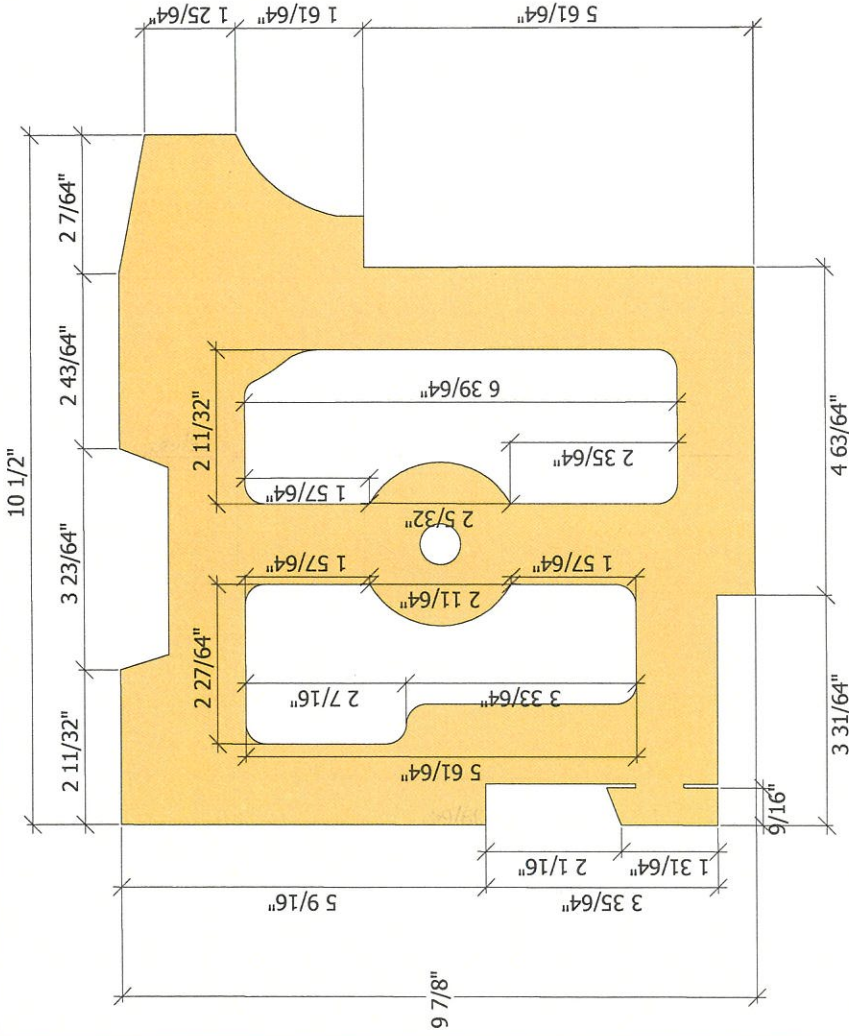
5

Quantity:



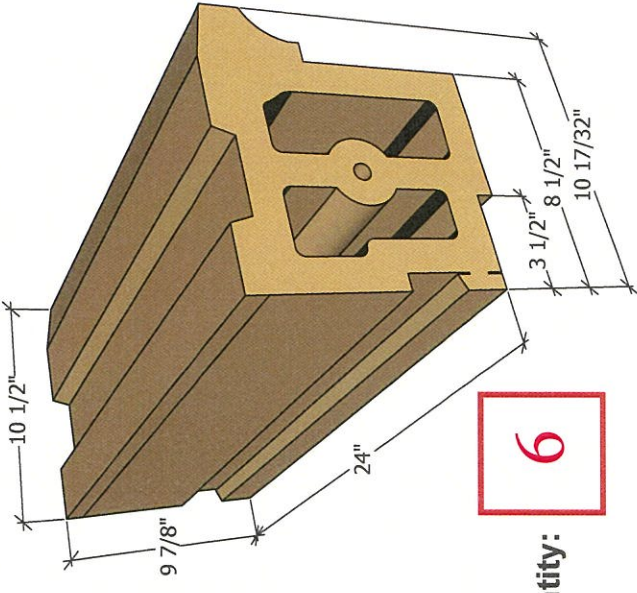
2

Quantity:



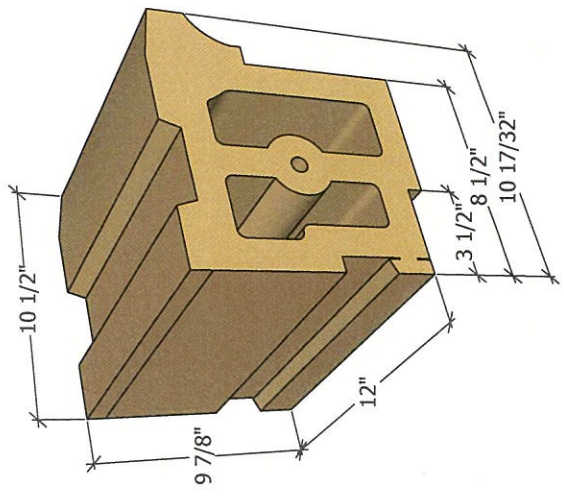
X

Quantity:



6

Quantity:



Terra Cotta Training Mockup, Cornice Unit, Extruded 3
 Detail 11.210.0821
 Rev. 03/27/18

